

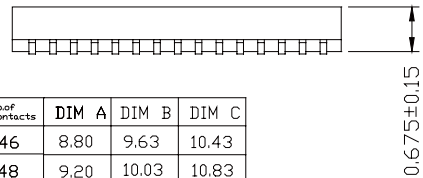
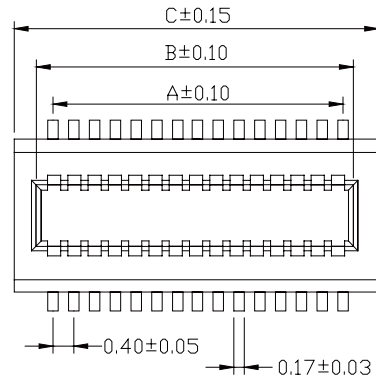
BY	CHK	REVISION RECORD MODIFICATIONS	DATE	REV.
ALLEN		RELEASE TO PRODUCTION	2007,7,26	1.0

SPECIFICATION

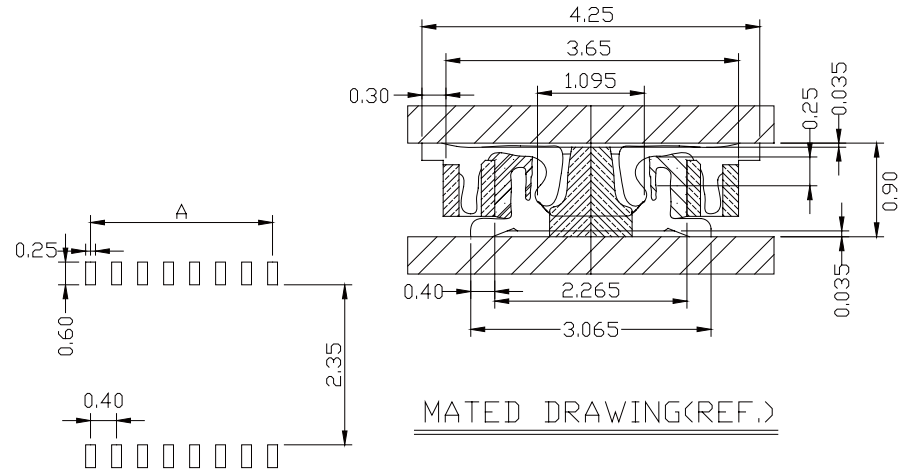
Current Rate: 0.3 AMP
 Insulation Resistance: 100mΩ Min
 Contact Resistance: 90mΩ Max
 Dielectric voltage: 50V AC for one minute
 Operation Temperature: -25°C to +85°C

MATERIAL

Insulator: Polyester, UL94v-0
 Standard: Nylon 46
 Contact Pin: Phosphor Bronze
 Contact Plated: Gold Plated



No. of contacts	DIM A	DIM B	DIM C	No. of contacts	DIM A	DIM B	DIM C
10	1.60	2.43	3.23	46	8.80	9.63	10.43
12	2.00	2.83	3.63	48	9.20	10.03	10.83
14	2.40	3.23	4.03	50	9.60	10.43	11.23
16	2.80	3.63	4.43	52	10.00	10.83	11.63
18	3.20	4.03	4.83	54	10.40	11.23	12.03
20	3.60	4.43	5.23	56	10.80	11.63	12.43
22	4.00	4.83	5.63	58	11.20	12.03	12.83
24	4.40	5.23	6.03	60	11.60	12.43	13.23
26	4.80	5.63	6.43	62	12.00	12.83	13.63
28	5.20	6.03	6.83	64	12.40	13.23	14.03
30	5.60	6.43	7.23	66	12.80	13.63	14.43
32	6.00	6.83	7.63	68	13.20	14.03	14.83
34	6.40	7.23	8.03	70	13.60	14.43	15.23
36	6.80	7.63	8.43	72	14.00	14.83	15.63
38	7.20	8.03	8.83	74	14.40	15.23	16.03
40	7.60	8.43	9.23	76	14.80	15.63	16.43
42	8.00	8.83	9.63	78	15.20	16.03	16.83
44	8.40	9.23	10.03	80	15.60	16.43	17.23

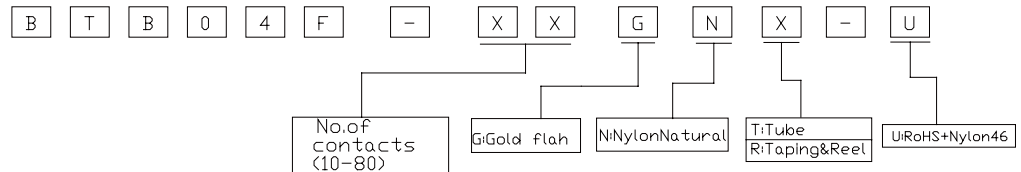


MATED DRAWING(REF.)

Recommended PCB Layout
 (PCB TOLERANCE±0.05)

After Mating Height

FEMALE	MALE	BTB04M-XX
BTB04F-XX		0.90



APPRO	CHECK	DRAWN	PART NO.	BTB04F-XXGNX-U		
			ITEM NO.			
			DRAW NO.			
			UNIT	mm	SCALE	no
			TOLER		NO.	

DESCRIPTION

Tel: 0769 22020068 Fax: 0769 22020069 E-mail: sales@vigortec.com